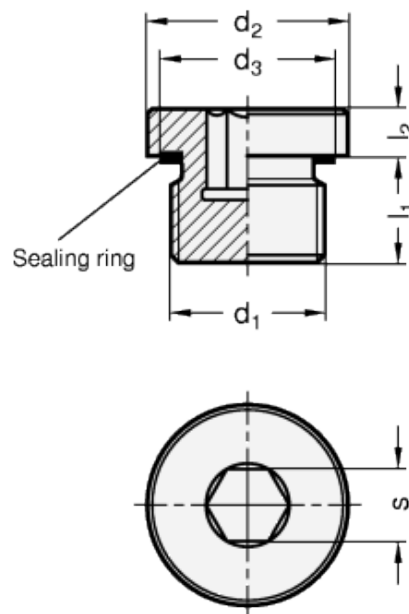
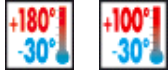


GN 749

Plugs with hexagon socket
for high pressures



technical informations

Material

Zinc-plated nano-passivated (silver/yellowish) steel (class 5.8 - tensile strength 500 N/mm²), blue passivated. Ultrasonically and tensile tested.

Flat packing ring

- Version A: NBR synthetic rubber.
- Version B: FPM synthetic rubber (type VITON[®], registered mark by DuPont Dow Elastomers). Identification by not black finish.

Maximum continuous working temperature

- Version A: 100°C.
 - Version B: 180°C.

Standard Elements	Main dimensions						Maximum working pressure in bar	Tightening torque in Nm	Weight g
	Description	d ₁	d ₂	d ₃	l ₁	l ₂			
GN 749-M8x1-A	M8x1	12	9.9	8	4	4	400	8	5
GN 749-M10x1-A	M10x1	14	11.9	8	4	5	400	12	5
GN 749-M12x1.5-A	M12x1.5	17	14.4	12	5	6	400	25	15
GN 749-M14x1.5-A	M14x1.5	19	16.5	12	5	6	400	30	20
GN 749-M16x1.5-A	M16x1.5	22	18.9	12	5	8	400	50	25
GN 749-M18x1.5-A	M18x1.5	24	20.9	12	5	8	400	60	30
GN 749-M20x1.5-A	M20x1.5	26	22.9	14	5	10	400	70	42
GN 749-M22x1.5-A	M22x1.5	27	24.3	14	5	10	400	80	50
GN 749-M24x1.5-A	M24x1.5	30	26.9	14	5	12	400	95	56
GN 749-M26x1.5-A	M26x1.5	32	29.2	16	5	12	400	120	75
GN 749-M27x2-A	M27x2	32	29.2	16	5	12	400	120	80
GN 749-M30x1.5-A	M30x1.5	37	32.7	16	6.5	17	400	190	103
GN 749-M33x2-A	M33x2	40	35.7	16	6.5	17	400	225	125
GN 749-M42x2-A	M42x2	50	45.8	16	6.5	22	315	360	201
GN 749-M48x2-A	M48x2	55	50.7	16	6.5	24	315	400	254
GN 749-G1/8-A	G1/8	14	11.9	8	4	5	400	12	5
GN 749-G1/4-A	G1/4	19	16.5	12	5	6	400	30	15
GN 749-G3/8-A	G3/8	22	18.9	12	5	8	400	50	25
GN 749-G1/2-A	G1/2	27	23.9	14	5	10	400	80	45
GN 749-G3/4-A	G3/4	32	29.2	16	5	12	400	120	75
GN 749-G1-A	G1	40	35.7	16	6.5	17	400	225	124
GN 749-G1¼-A	G1¼	50	45.8	16	6.5	22	315	360	195
GN 749-G1½-A	G1½	55	50.7	16	6.5	24	315	400	240
GN 749-M8x1-B	M8x1	12	9.9	8	4	4	400	8	5
GN 749-M10x1-B	M10x1	14	11.9	8	4	5	400	12	5
GN 749-M12x1.5-B	M12x1.5	17	14.4	12	5	6	400	25	15
GN 749-M14x1.5-B	M14x1.5	19	16.5	12	5	6	400	30	20
GN 749-M16x1.5-B	M16x1.5	22	18.9	12	5	8	400	50	25
GN 749-M18x1.5-B	M18x1.5	24	20.9	12	5	8	400	60	30
GN 749-M20x1.5-B	M20x1.5	26	22.9	14	5	10	400	70	42
GN 749-M22x1.5-B	M22x1.5	27	24.3	14	5	10	400	80	50
GN 749-M24x1.5-B	M24x1.5	30	26.9	14	5	12	400	95	56
GN 749-M26x1.5-B	M26x1.5	32	29.2	16	5	12	400	120	75
GN 749-M27x2-B	M27x2	32	29.2	16	5	12	400	120	80
GN 749-M30x1.5-B	M30x1.5	37	32.7	16	6.5	17	400	190	103
GN 749-M33x2-B	M33x2	40	35.7	16	6.5	17	400	225	125
GN 749-M42x2-B	M42x2	50	45.8	16	6.5	22	315	360	201
GN 749-M48x2-B	M48x2	55	50.7	16	6.5	24	315	400	254
GN 749-G1/8-B	G1/8	14	11.9	8	4	5	400	12	5

GN 749-G1/4-B	G1/4	19	16.5	12	5	6	400	30	15
GN 749-G3/8-B	G3/8	22	18.9	12	5	8	400	50	25
GN 749-G1/2-B	G1/2	27	23.9	14	5	10	400	80	45
GN 749-G3/4-B	G3/4	32	29.2	16	5	12	400	120	75
GN 749-G1-B	G1	40	35.7	16	6.5	17	400	225	124
GN 749-G1¼-B	G1¼	50	45.8	16	6.5	22	315	360	195
GN 749-G1½-B	G1½	55	50.7	16	6.5	24	315	400	240



ELESA and GANTER models all rights reserved in accordance with the law. Always mention the source when reproducing our drawings.

STANDARD MACHINE ELEMENTS WORLDWIDE